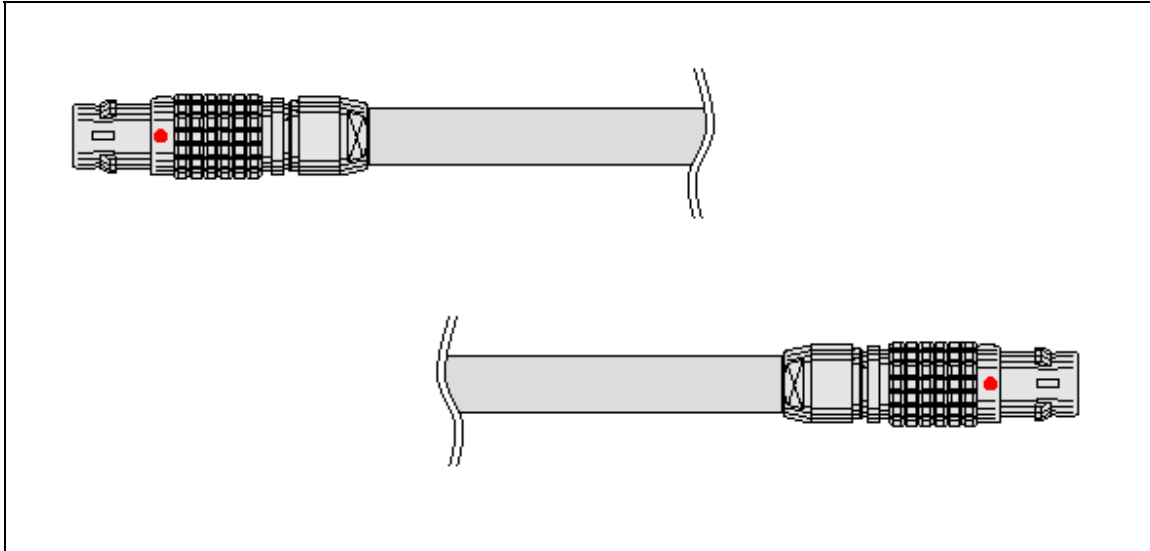


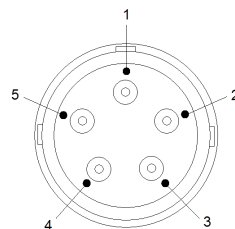
# Data Acquisition Products

Description		Part Number
Lemo 5 Way to Lemo 5 Way 2m	CAN ONLY	RLVBCAB05-C



5 Way Lemo	Lead length 2m	5 Way Lemo
Pin		Pin
N/C		N/C
N/C		N/C
3	BLUE	3
4	WHITE	4
5	RED	5
Chassis	BLACK	Chassis

Note: For wire function refer to module pin description



**5 PIN LEMO PLUG**  
 VIEW FACING PINS  
 LEMO PART NO. FGG.0B.305 CLAD52Z