

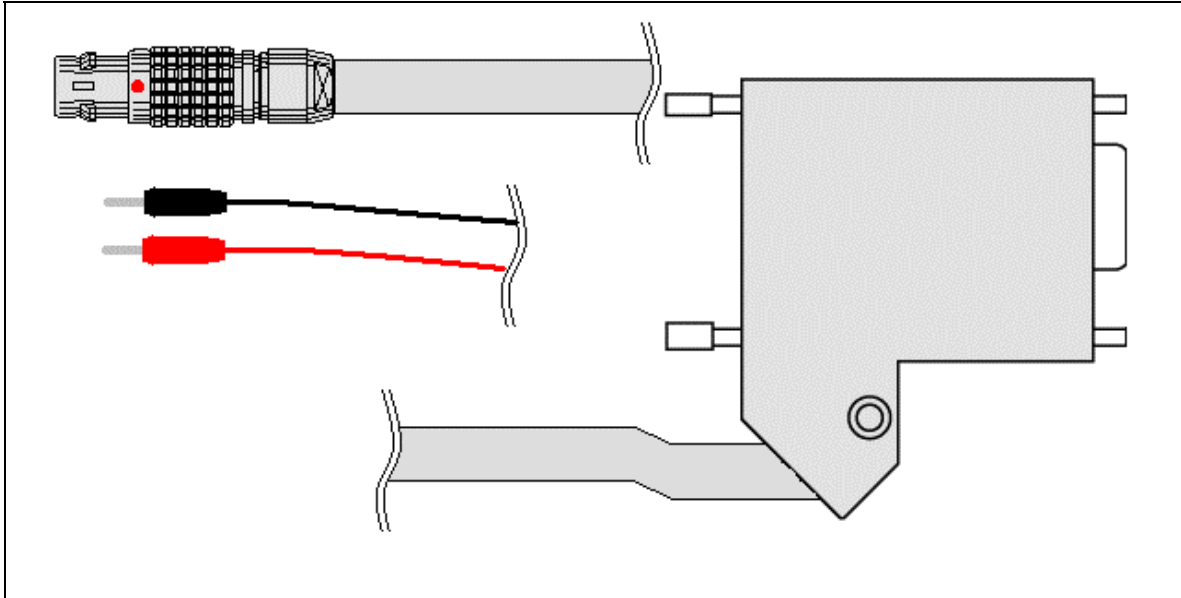
Data Acquisition Products

Description

Lemo 5 way to 9 Way D-Sub (CAN bus) + plus power

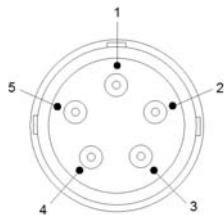
Part Number

RLVBCAB34



Length Approx 2 Metres

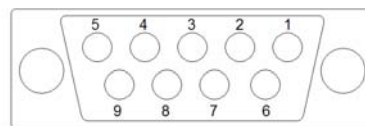
Lemo Pin	9 Way D-Type Pin	Power wires
1	_____	
2	_____	
3	7 CAN hi	
4	2 CAN lo	
5	_____	Red
Chassis	_____	Black



5 PIN LEMO PLUG

VIEW FACING PINS

LEMO PART NO. FGG.0B.305 CLAD52Z



9 PIN D Female

VIEW FACING SOCKETS